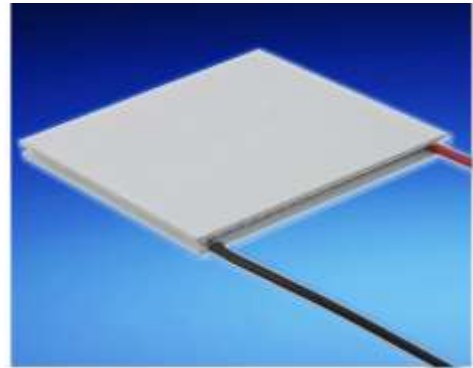


Thermoelectric Cooler Performance Specifications

TES1-031020-8.8X8.8 W150mm

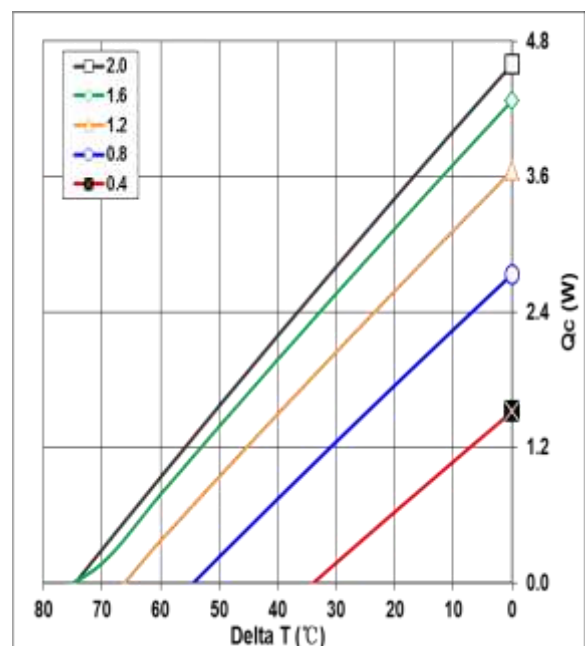
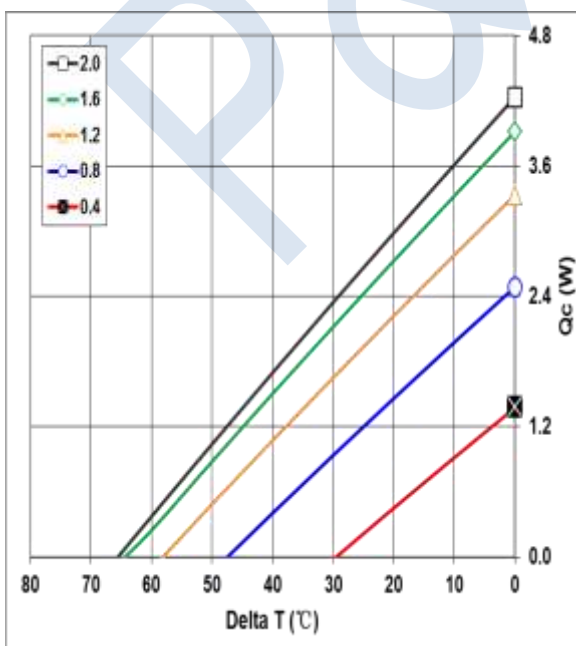
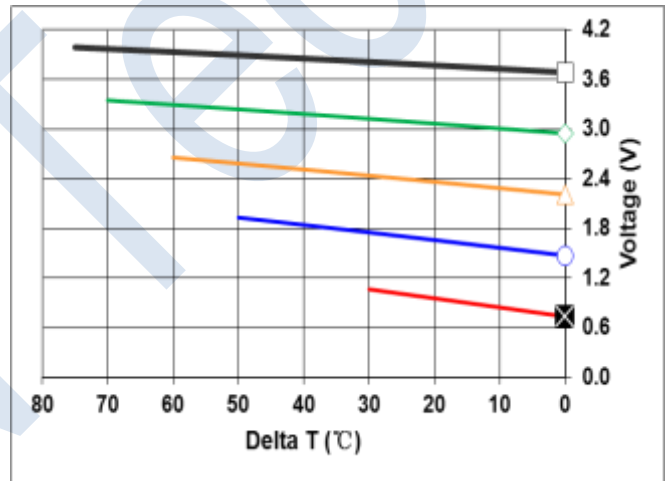
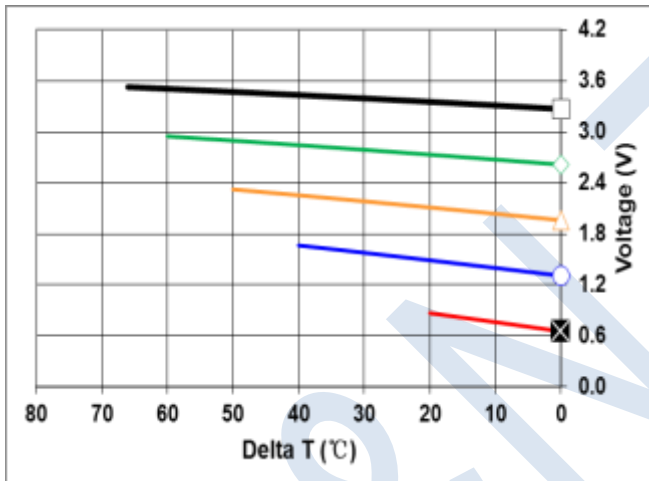
Hot Side Temperature(°C)	27°C	50°C
Qmax (Watts)	4.18	4.60
Delta Tmax(°C)	67	75
I _{max} (Amps)	2	2
V _{max} (Volts)	3.7	4.0
Module Resistance(Ohms)	1.62	1.82



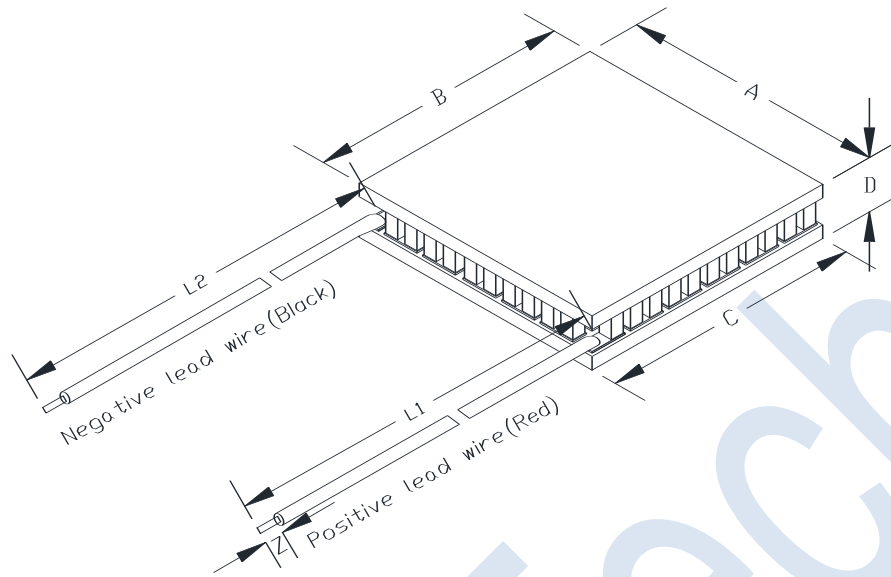
**Tolerances for thermal and electrical parameters ± 10%.

Performance Curves Th=27°C

Performance Curves Th=50°C



Mechanical Drawing:



D(mm)	2.2±0.02	Wires	PVC 32 AWG
A(mm)	8.8±0.2	Wire length(mm)L1/L2	150±5
B(mm)	8.8±0.2	Z(mm)	5±2
C(mm)	8.8±0.2	Sealing	Silicone
Flatness/Parallelism(mm)	0.05/0.05	Solder T(melting) (°C)	138

Operation Tips:

- Max Operating Temperature:**90°C**.
- Do not exceed I_{max} or V_{max} when operating module.
- Please consult P&N Technology for moisture and corrosion protection options.

Address: 5/F Xinfei Building 28th Xiangming Road, Torch (xiang'an) Hi-tech Zone, Xiamen Fujian China.

Sales Tel: + 86 - 592 - 352 1988

Fax: +86-592-352 1989

Postcode: 361 101

Web: www.pengnantech.com