

**Thermoelectric Cooler Performance Specifications**

TES1-031020-8.8X11 W150mm

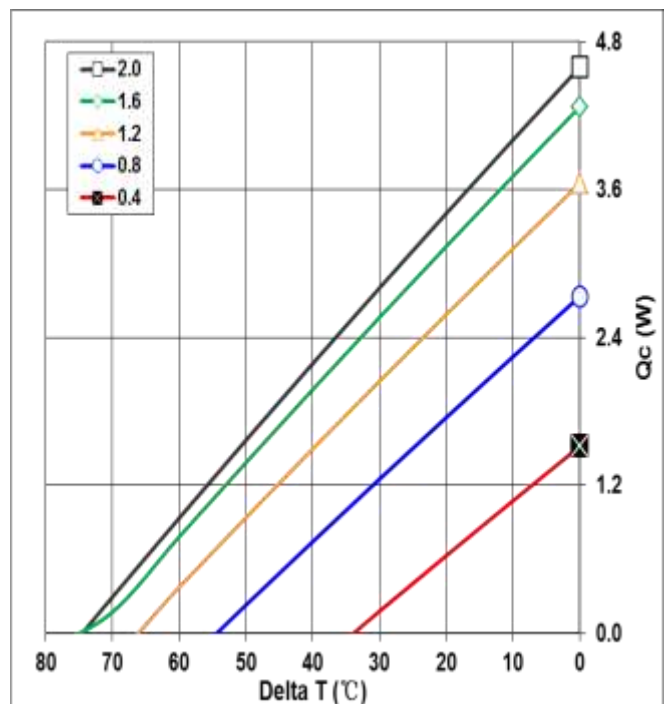
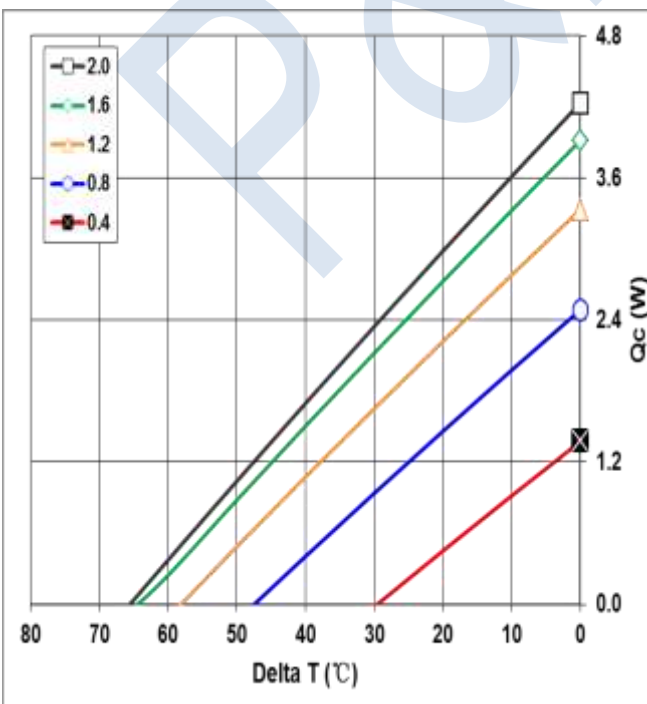
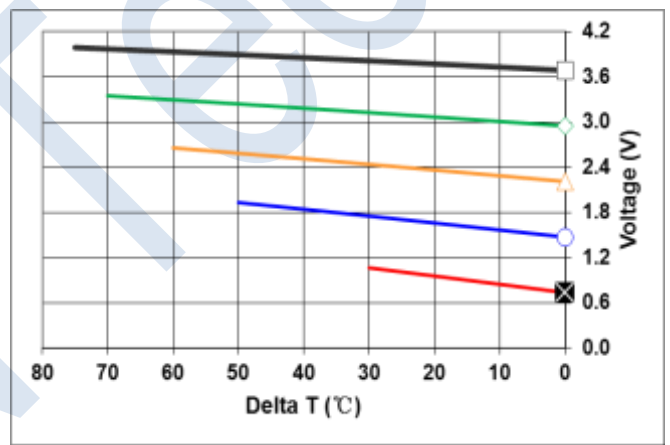
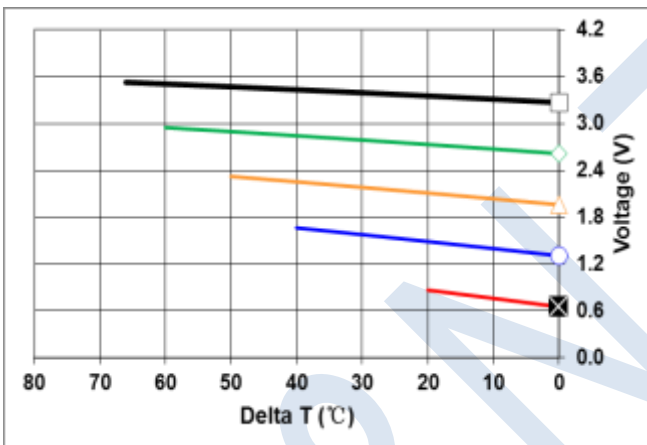
Hot Side Temperature(°C)	27 °C	50 °C
Qmax (Watts)	4.18	4.60
Delta Tmax(°C)	67	75
I <sub>max</sub> (Amps)	2	2
V <sub>max</sub> (Volts)	3.7	4.0
Module Resistance(Ohms)	1.62	1.82



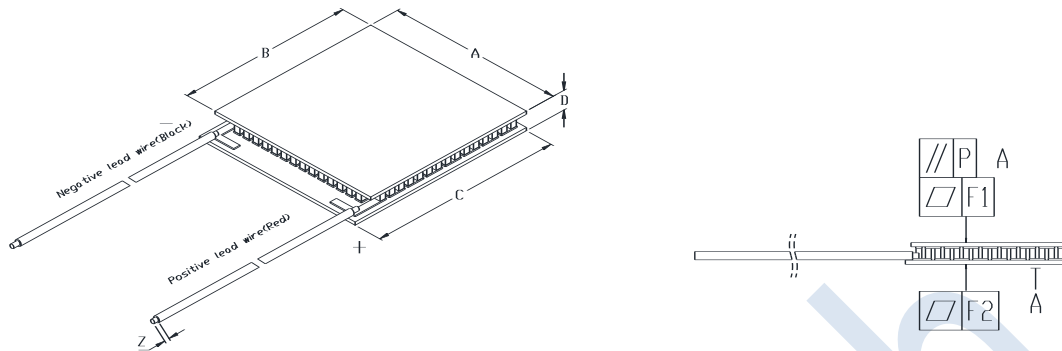
\*\*Tolerances for thermal and electrical parameters ± 10%.

**Performance Curves Th=27°C**

**Performance Curves Th=50°C**



Mechanical Drawing:



<b>Thickness(mm)D</b>	2.2±0.03	<b>Wires</b>	PVC 32AWG
<b>A(mm)</b>	8.8±0.1	<b>Z(mm)</b>	5±2
<b>C(mm)</b>	11±0.1	<b>Lead wire length(mm)</b>	150±5
<b>B(mm)</b>	8.8±0.1	<b>Sealing</b>	RTV
<b>Flatness/Parallelism(mm)</b>	0.05/0.05	<b>Solder (°C)</b>	138

**Operation Tips:**

- Max Operating Temperature:**90°C**.
- Do not exceed I<sub>max</sub> or V<sub>max</sub> when operating module.
- Please consult P&N Technology for moisture and corrosion protection options.

**Address:** 5/F Xinfeng Building 28<sup>th</sup> Xiangming Road, Torch (xiang'an) Hi-tech Zone, Xiamen Fujian China.

**Sales Tel:** + 86 - 592 - 352 1988

**Fax:** +86-592-352 1989

**Postcode:** 361 101

**Web:** [www.pengnantech.com](http://www.pengnantech.com)