

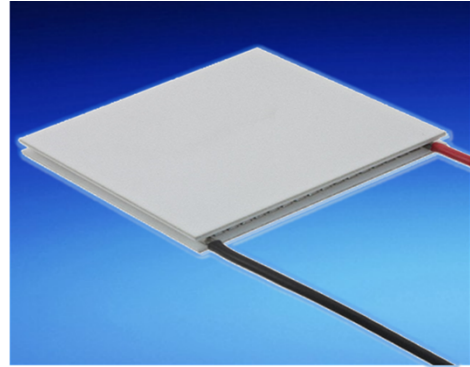


Thermoelectric Cooler Performance Specifications

TEC1-127140-40X40 W150mm

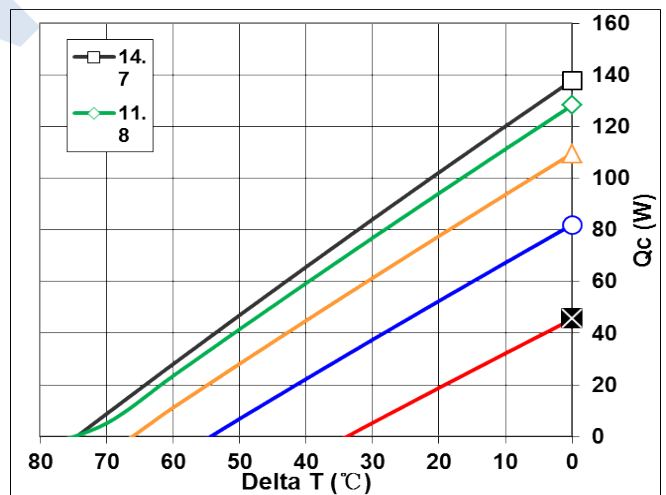
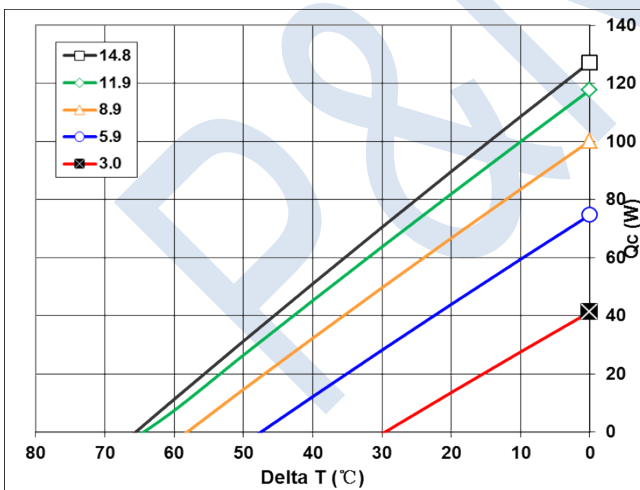
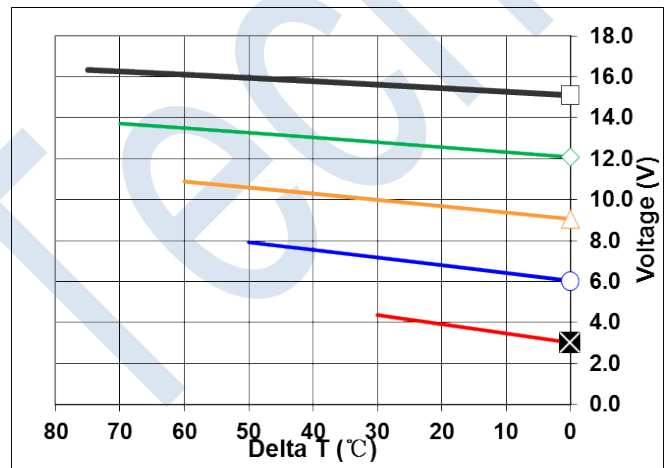
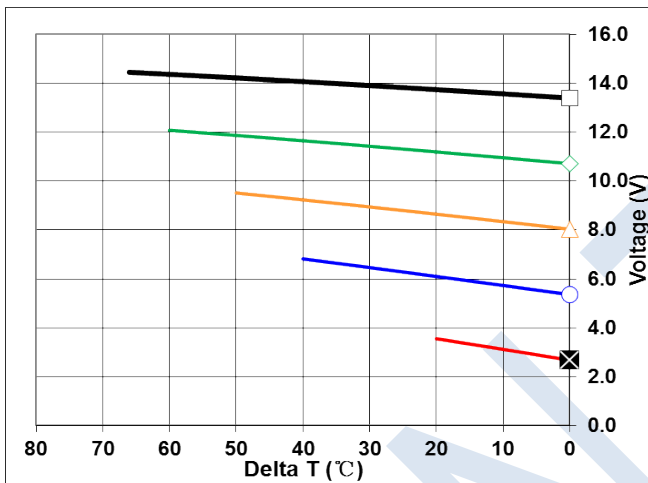
Hot Side Temperature(°C)	25 °C	50 °C
Qmax (Watts)	127	138
Delta Tmax(°C)	67	75
I <sub>max</sub> (Amps)	14.8	16.34
V <sub>max</sub> (Volts)	14.45	16.4
Module Resistance(Ohms)	0.903	1.02

\*\*Tolerances for thermal and electrical parameters ± 10%.

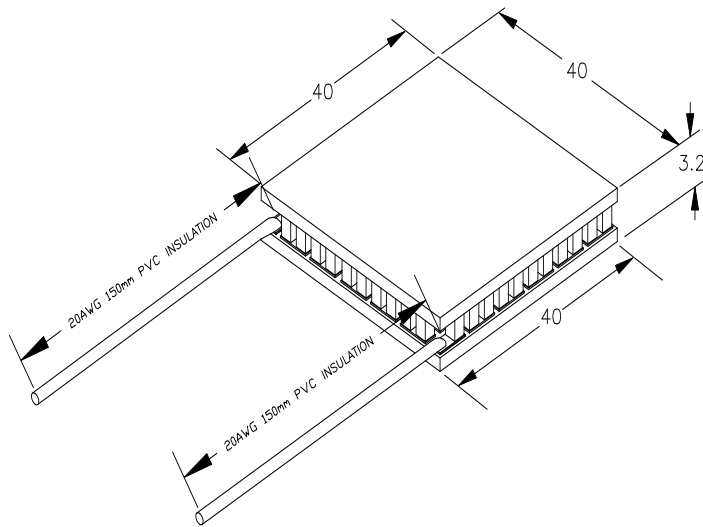


Performance Curves Th=25 °C

Performance Curves Th=50 °C



Mechanical Drawing:



---

#### Operation Tips:

- Max Operating Temperature: **90°C**.
- Do not exceed  $I_{max}$  or  $V_{max}$  when operating module.
- Please consult P&N Technology for moisture and corrosion protection options.

---

**Address:** 5/F Xinfei Building 28<sup>th</sup> Xiangming Road, Torch (xiang'an) Hi-tech Zone, Xiamen Fujian China.

**Sales Tel:** + 86 - 592 - 352 1988

**Fax:** +86-592-352 1989

**Postcode:** 361101

**Web:** [www.pengnantech.com](http://www.pengnantech.com)