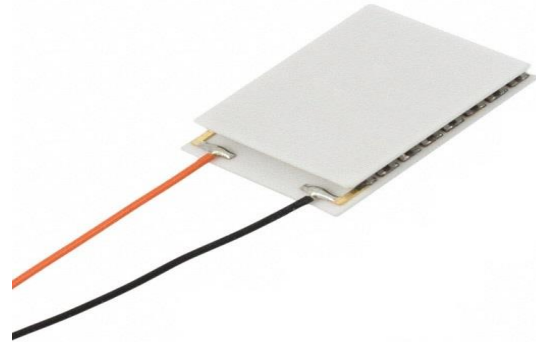


Thermoelectric Cooler Performance Specifications

HTEC1-127080-40X44 W150mm

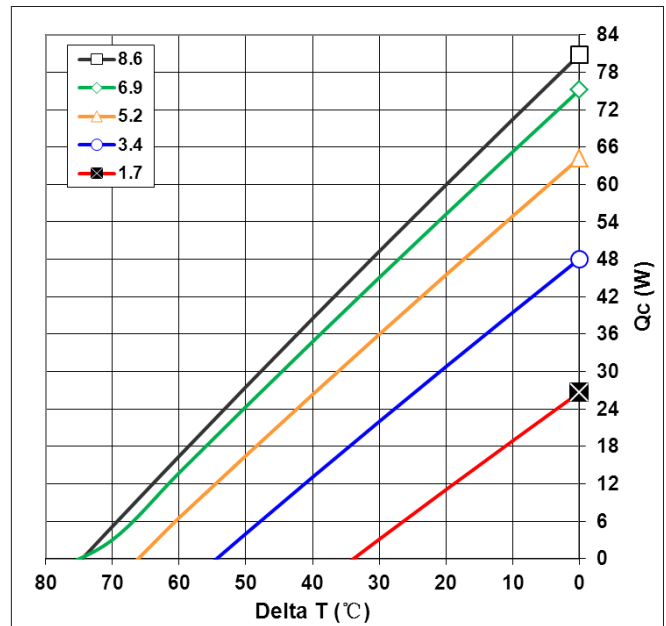
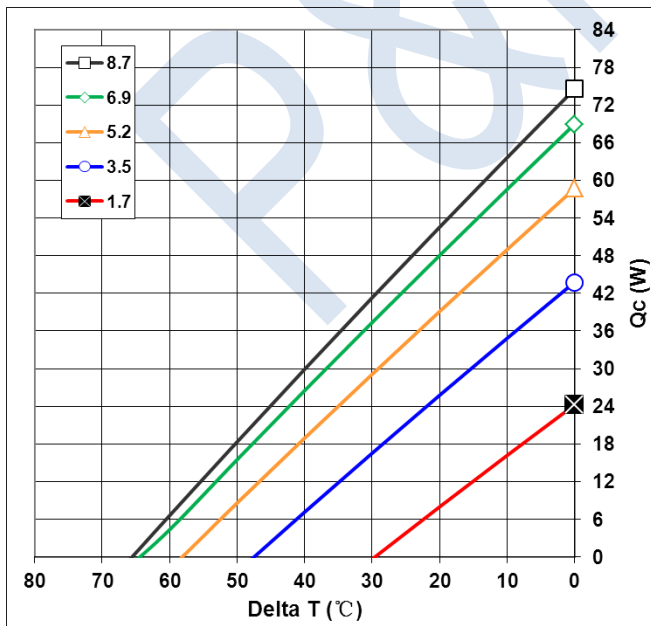
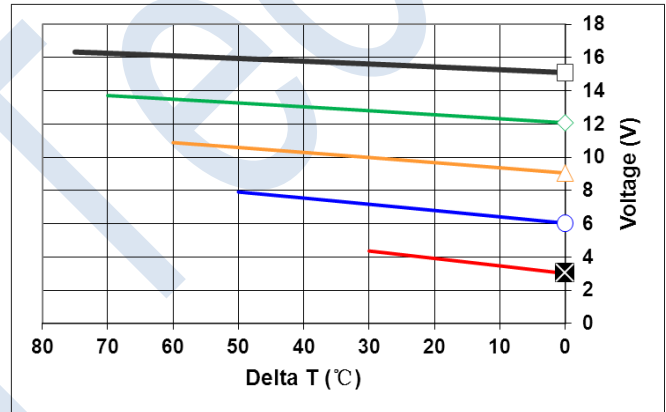
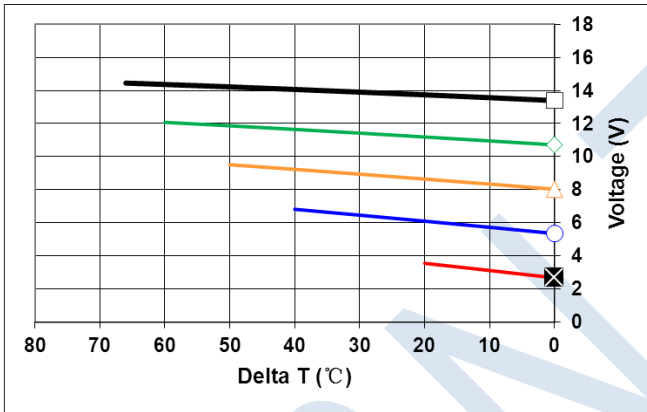
Hot Side Temperature(°C)	25 °C	50 °C
Qmax (Watts)	72	82
Delta Tmax(°C)	67	75
Imax (Amps)	8.5	8.5
Vmax (Volts)	14.4	16.4
ModuleResistance(Ohms)	1.54	1.74

**Tolerances for thermal and electrical parameters ± 10%.

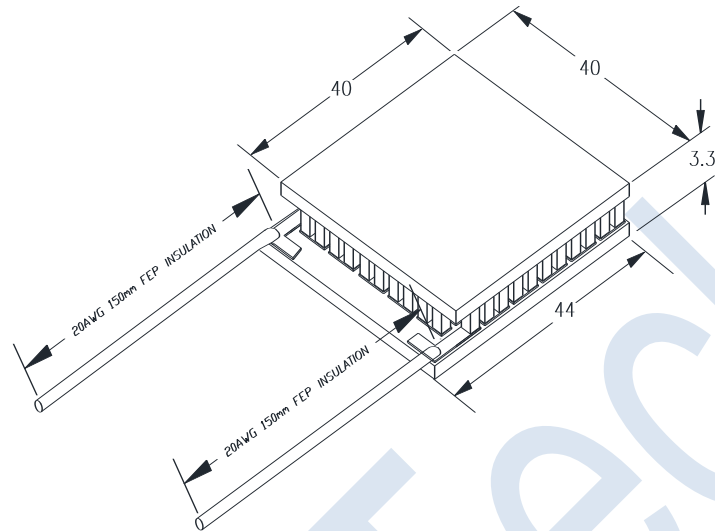


Performance Curves Th=25 °C

Performance Curves Th=50 °C



Mechanical Drawing:

**Operation Tips:**

- Max Operating Temperature: **200°C**.
- Do not exceed I_{max} or V_{max} when operating module.
- Please consult P&N Technology for moisture and corrosion protection options.

Address: 5/F Xinfei Building 28th Xiangming Road, Torch (xiang'an) Hi-tech Zone, Xiamen Fujian China.

Sales Tel: + 86 - 592 - 352 1988

Fax: +86-592-352 1989

Postcode: 361 101

Web: www.pengnantech.com