

Thermoelectric Cooler Performance Specifications

HP-199120-40X44 W150mm

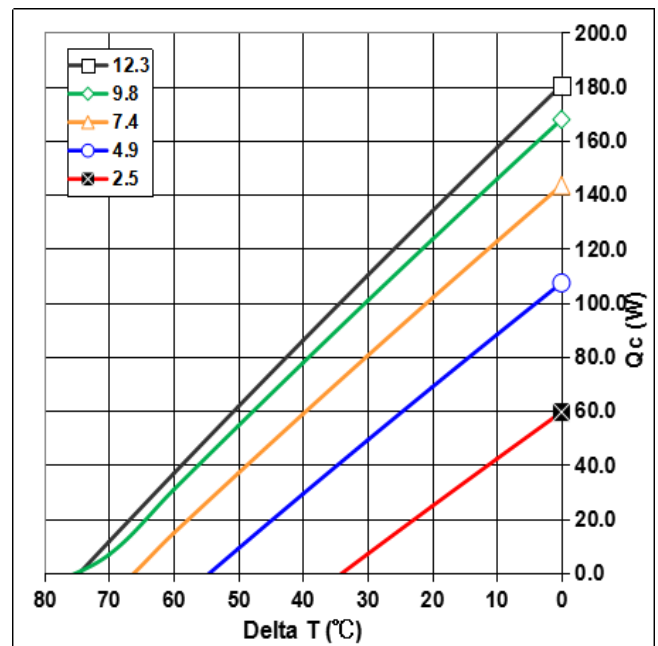
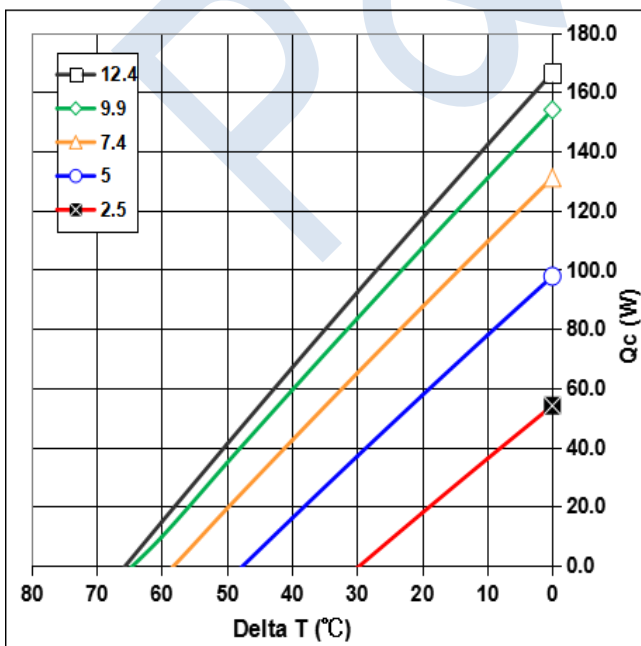
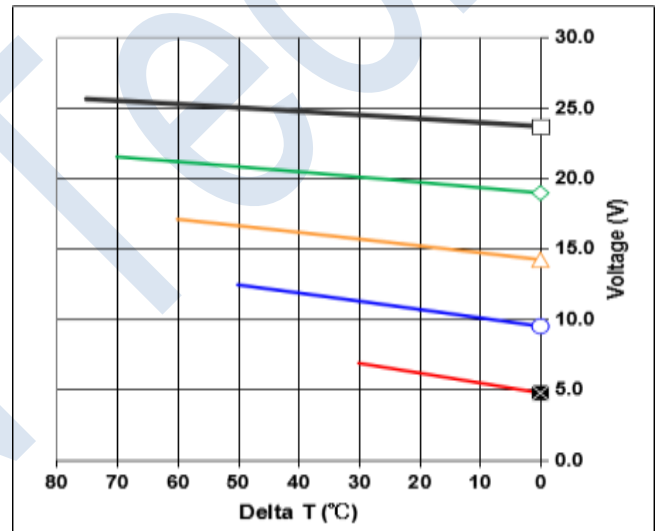
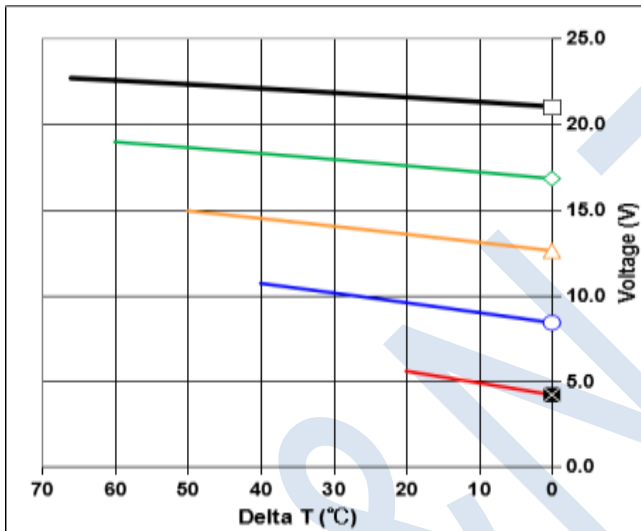
Hot Side Temperature(°C)	27°C	50°C
Qmax (Watts)	166.43	180.49
Delta Tmax(°C)	70	78
I _{max} (Amps)	12.4	12.3
V _{max} (Volts)	24.1	25.6
Module Resistance(Ohms)	1.70	1.91



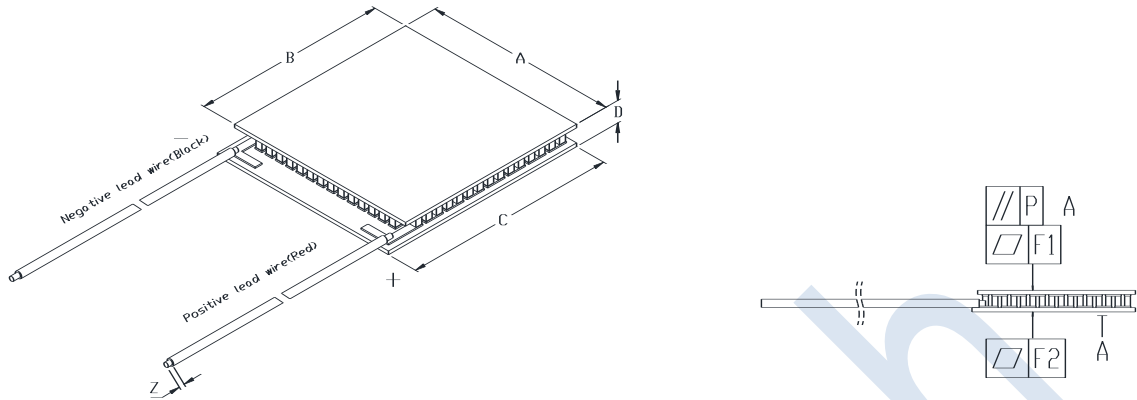
**Tolerances for thermal and electrical parameters ± 10%.

Performance Curves Th=27°C

Performance Curves Th=50°C



Mechanical Drawing:



Thickness(mm)D	3.1±0.03	Wires	FEP 20AWG
A(mm)	40±0.1	Z(mm)	5±2
C(mm)	44±0.1	Lead wire length(mm)	150±5
B(mm)	40±0.1	Sealing	EP
Flatness/Parallelism(mm)	0.05/0.05	Solder (°C)	232

Operation Tips:

- Max Operating Temperature:**200°C**.
- Do not exceed I_{max} or V_{max} when operating module.
- Please consult P&N Technology for moisture and corrosion protection options.

Address: 5/F Xinfeng Building 28th Xiangming Road, Torch (xiang'an) Hi-tech Zone, Xiamen Fujian China.

Sales Tel: + 86 - 592 - 352 1988

Fax: +86-592-352 1989

Postcode: 361 101

Web: www.pengnantech.com