

Thermoelectric Cooler Performance Specifications

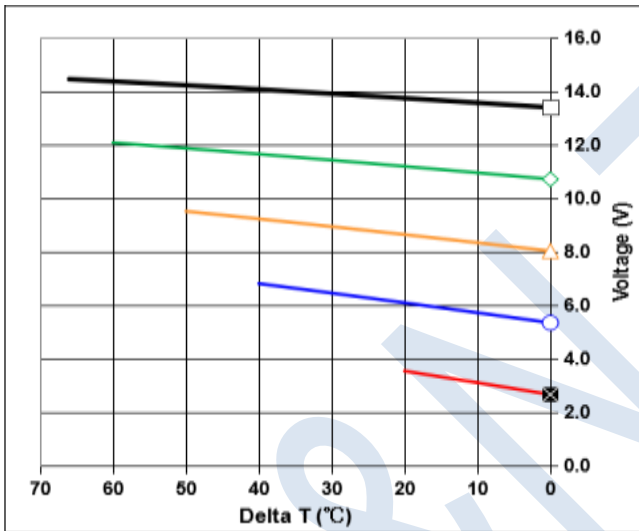
HP-127040-30X34 W150mm

Hot Side Temperature(°C)	27 °C	50 °C
Qmax (Watts)	35	38
Delta Tmax(°C)	71	75
I _{max} (Amps)	3.9	3.9
V _{max} (Volts)	15.4	16.3
Module Resistance(Ohms)	3.31	3.74

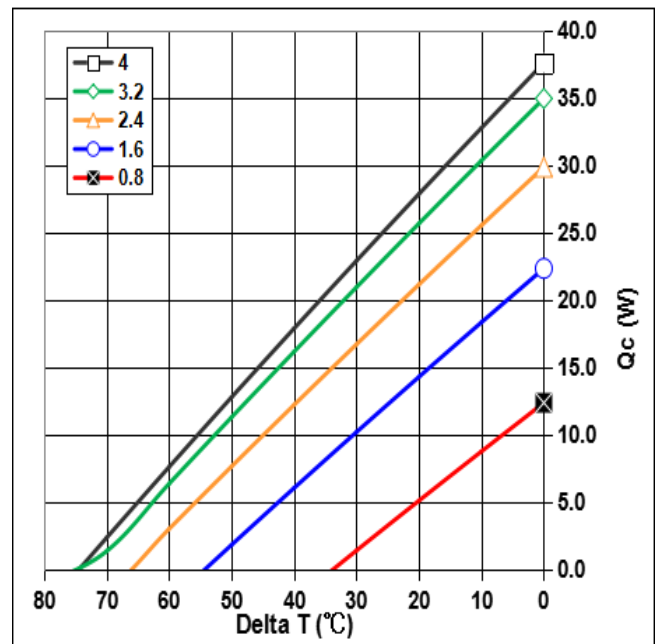
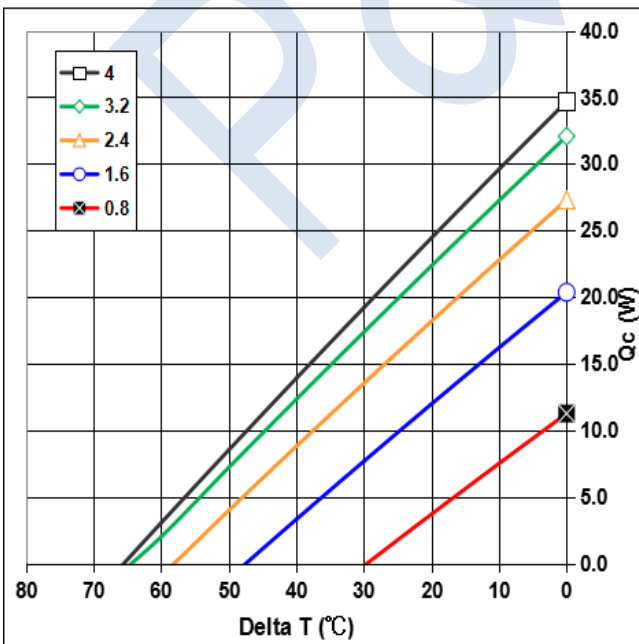
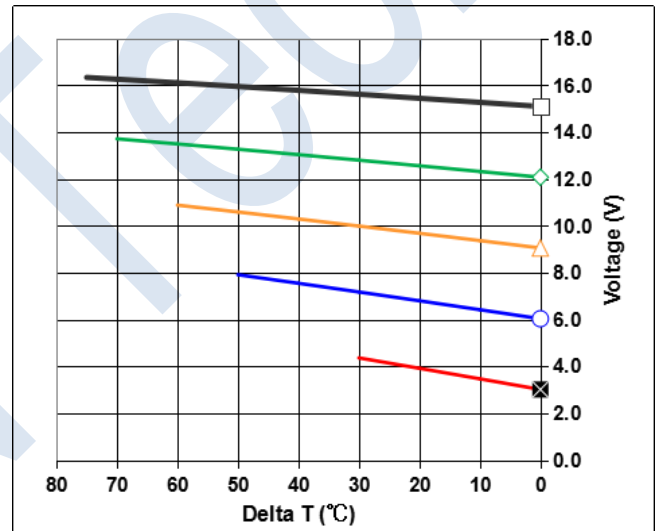


**Tolerances for thermal and electrical parameters ± 10%.

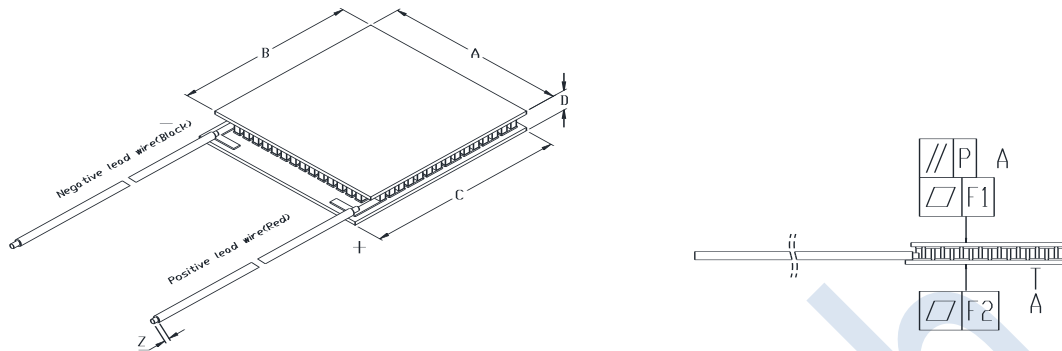
Performance Curves Th=27°C



Performance Curves Th=50°C



Mechanical Drawing:



Thickness(mm)D	3.6±0.03	Wires	PVC 22 AWG
A(mm)	30±0.1	Z(mm)	5±2
C(mm)	34±0.1	Lead wire length(mm)	150±5
B(mm)	30±0.1	Sealing	-
Flatness/Parallelism(mm)	0.05/0.05	Solder (°C)	138

Operation Tips:

- Max Operating Temperature:**90°C**.
- Do not exceed I_{max} or V_{max} when operating module.
- Please consult P&N Technology for moisture and corrosion protection options.

Address: 5/F Xinfeng Building 28th Xiangming Road, Torch (xiang'an) Hi-tech Zone, Xiamen Fujian China.

Sales Tel: + 86 - 592 - 352 1988

Fax: +86-592-352 1989

Postcode: 361 101

Web: www.pengnantech.com